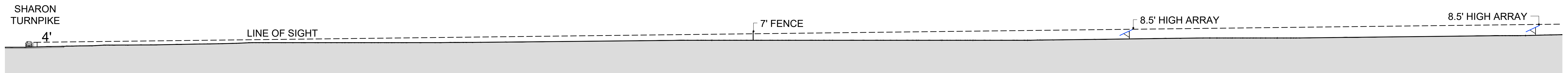
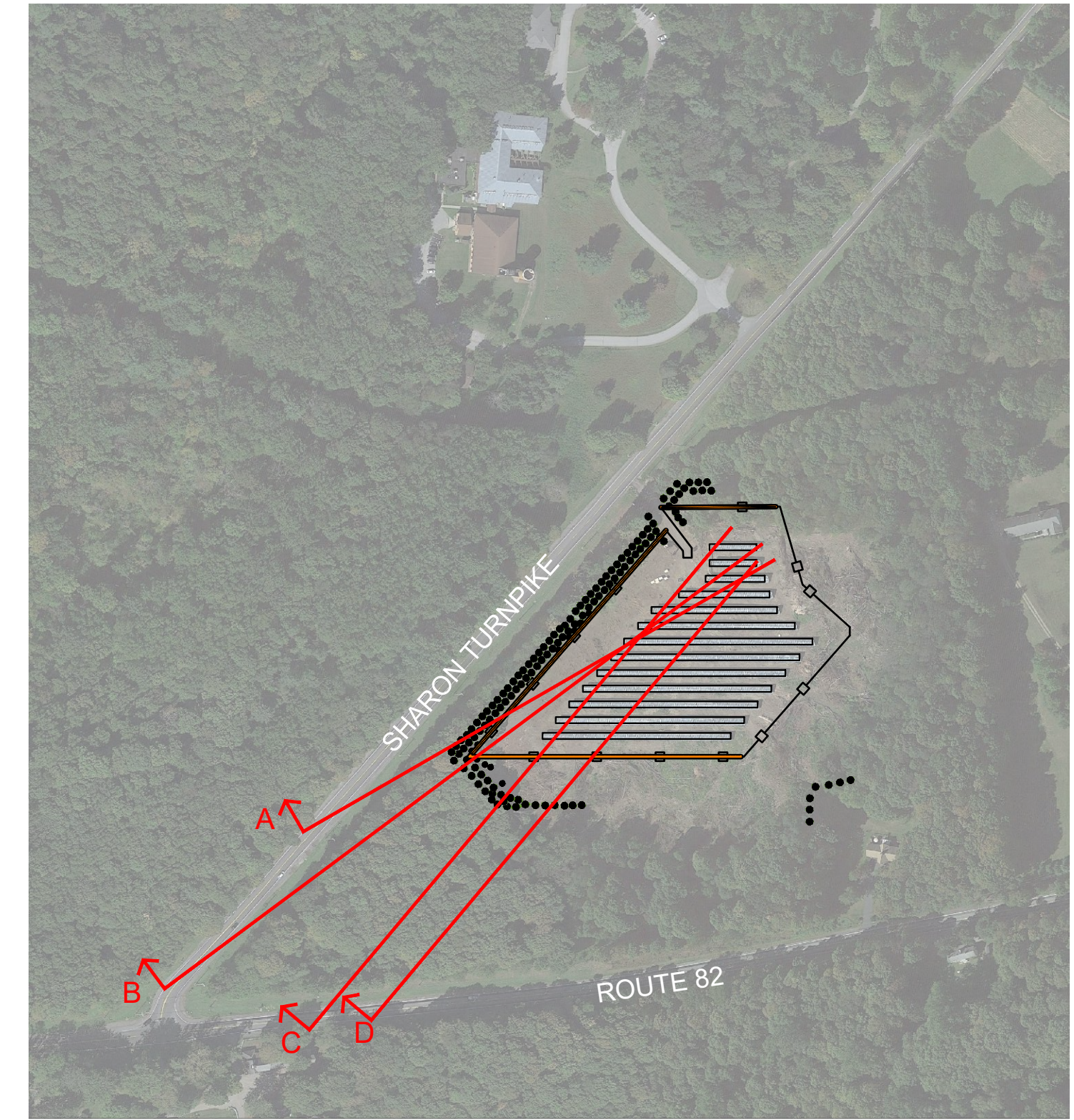
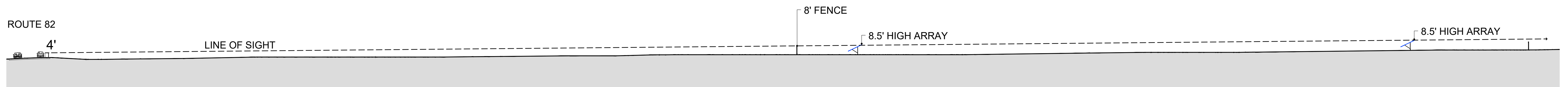


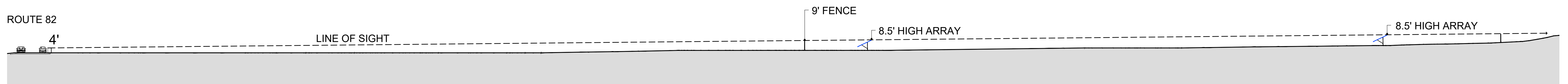
A SECTION A: VIEWPOINT 7 - LOOKING NORTHEAST
L100 SCALE 1" = 80'



B SECTION B: VIEWPOINT 8 - LOOKING NORTHEAST
L100 SCALE 1" = 80'



C SECTION C: VIEWPOINT 9 - LOOKING NORTHEAST
L100 SCALE 1" = 80'

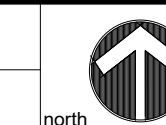


D SECTION D: VIEWPOINT 10 - LOOKING NORTHEAST
L100 SCALE 1" = 80'

SCALE 1" = 20'
(at 24" x 36" ONLY)

T. J. Boyle Associates, LLC

landscape architects • planning consultants
301 college street • burlington • vermont • 05401 802 • 658 • 3555 <http://www.tjboyle.com>



BTS
design by jo/da
checked by jo
date 07/16/2020
scale 1" = 40'

Bacon Triangle Solar
Fence Height Study

sheet no.
L-100

revisions	date	revisions	date